



Electronics for Model Railroads

211 RocBaar Dr., Romeoville, IL 60446
(815) 886-9010 FAX: (815) 886-9076

SNAPPER™

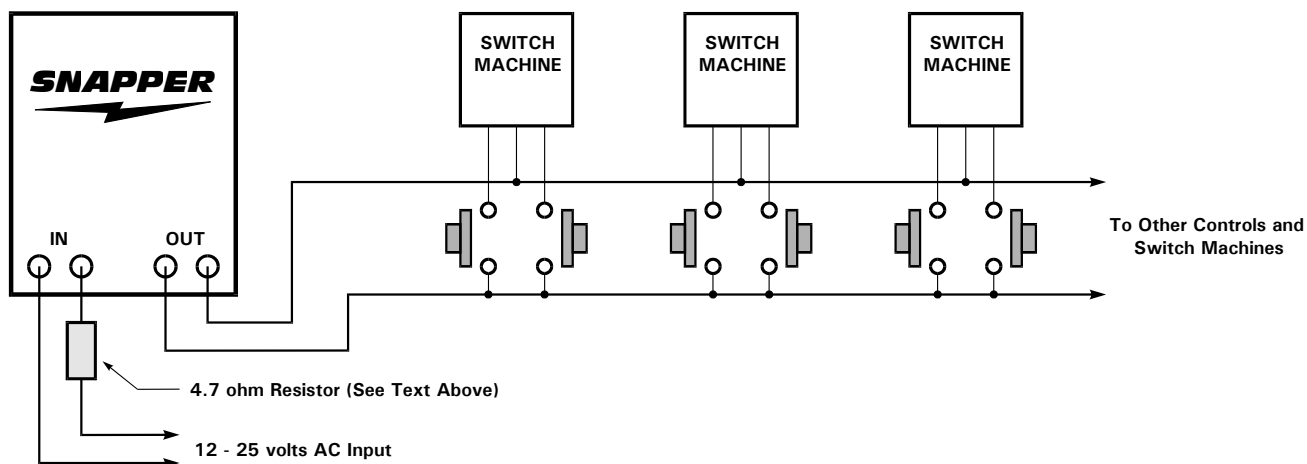
Switch Machine Power Supply

GENERAL DESCRIPTION: The CIRCUITRON **SNAPPER™** is an advanced design, solid state controlled switch machine power supply. Operating from an AC supply of 25 volts or less, the **SNAPPER™** provides positive, snap-action power to all dual-coil type switch machines while providing total protection from burnout.

CIRCUIT DESIGN: The **SNAPPER™** is a capacitor discharge circuit with a SCR controlled recharge. This design allows high power storage within the capacitor without sacrificing recharge time. With a 24 volt AC input, the **SNAPPER™** should be able to activate between 5 and 10 coils if they are all connected to the same control.

INSTRUCTIONS: The **SNAPPER™** can be connected with .110" solderless connectors or by soldering leads directly to the terminals on the printed circuit board. If soldering, use a small pencil-type iron and electronics-grade rosin core 60/40 solder (available at Radio Shack). Use only as much heat as necessary to obtain a good joint and do not wiggle the terminal until the solder has cooled completely.

Connect two wires from the terminals marked [IN] to the accessory terminals of a power pack or any *SMALL* 25 volt or less transformer. If the **SNAPPER™** is to be used with a large power pack or transformer rated 1 amp or greater, the current limiting resistor should be installed in one of the [IN] lines as shown in the diagram. With transformers rated less than one amp, the resistor is unnecessary. Connect the terminals marked [OUT] to the switch machine controls with 18 gauge or heavier wire. A section of Printed Circuit Mounting Track [PCMT] is included for simple snap-in mounting of the assembly.



WARRANTY

CIRCUITRON warrants this device against defects in materials and workmanship for a period of one year from the date of purchase. This warranty covers all defects incurred in normal use of the device and does not apply in the following cases:

- a) damage to the device resulting from abuse, mishandling, accident or failure to follow operating instructions.*
- b) if the device has been serviced or modified by anyone other than the CIRCUITRON factory.*

EXCEPT AS MENTIONED ABOVE, NO OTHER WARRANTY OR GUARANTEE, EXPRESS OR IMPLIED INCLUDING MERCHANTABILITY, ON THE PART OF THE UNDERSIGNED OR ANY OTHER PERSON, FIRM OR CORPORATION, APPLIES TO THIS DEVICE.

CIRCUITRON, INC.